



Nest Assured

RFID, ESP-NOW

Google's First Item Tracker.

Never forget your things ever again.

Find out more [→](#)



'Google / Google Nest were not engaged in any consultancy or collaborative capacity with this project and the outcome is in no way endorsed by them. Any publicity is limited to personal and academic use'.

Nest Assured, Rest Assured

-  Wireless Communication
-  Easy Integration
-  Compact Size
-  Builds Habits

A plug-and-play tracking solution that integrates seamlessly into dynamic and fast-paced lifestyles. Using RFID and wireless long-range protocol ESPNOW technology, it is compatible with all devices and items.

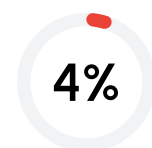
Designed for young adults with ADHD, but useful to anyone. Nest Assured helps users break free from the endless cycle of over-planning and forgetting.

It is not just another app destined to be lost among others in your phone. It is not another product that demands six other devices from the same brand to function properly.



Secondary Research

ADHD is a persistent pattern of inattention and/or hyperactivity-impulsivity that interferes with human functioning or development.



Of adults in the UK have ADHD, equivalent to **1,574,129 people**



It is more prevalent in males than females, with a ratio of 3:1

There are three sub-types of ADHD: Hyperactive-Impulsive, Inattentive and Combined. A majority of individuals diagnosed with ADHD fall into the last category.



User Research

ADHD varies between individuals and the symptoms can manifest in a myriad of ways. Interviews allow the individuals to comfortably fully express their thoughts, opinions and feelings. On the same grounds, surveys were not conducted. The reasons for interviews are to

- Allow for variability in responses
- Create a dynamic and personal environment
- Enable ease of discussing personal struggles and experiences
- Allow users to delve into personal experiences comfortably

Selection Rationale

Based on the background research and interviews, a divergent methodology was adopted and 4 initial ideas were ideated.



Pill Dispenser Bottle



Bag Scanner



Smart Bracelet



Task Bracelet

- Pill Dispenser Bottle** Retro-fitted bottle attachment with compartments for medication storage. Each compartment lights up at the specified time for medication intake.
- Bag Scanner** Compact clip-on mechanism utilising RFID for item scanning during packing. Provides vibration feedback and progress lights to prevent forgetting essential items.
- Smart Bracelet** Bracelet monitoring stress levels with a timer for emotional awareness. Accompanied by an app displaying well-being trends over time.
- Task Bracelet** Community-based bracelet gamifying task completion with friends. Tasks are linked to physical buttons on the bracelet, and completing them collectively earns rewards.

User Feedback & Analysis

The various ideas were analysed against both quantitative and qualitative metrics, and found that Bag Scanner had the greatest development potential. An analysis of market leaders was performed, focusing on the design, functionality, and the gaps. This helped inform the development of the Bag Scanner. The final product will consist of 2 main components.

UHF RFID Scanner

- RFID allows cross-functionality
- Left at bottom of the bag

Controller

- Serves as main user interface
- Controls selection, viewing, scanning

Elegance, durability, and environmental responsibility

Google's home products balance **aesthetics, functionality, and sustainability**.

Using high-quality metals, premium plastics, and sustainably sourced fabrics, the products are **sleek, robust, and long-lasting**.

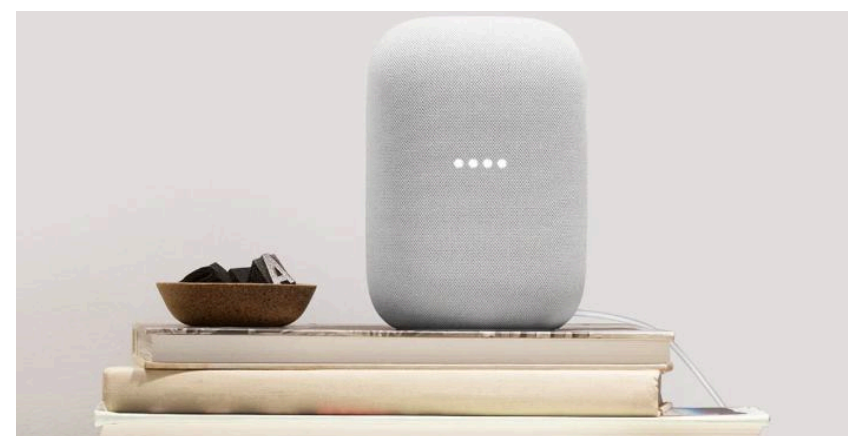
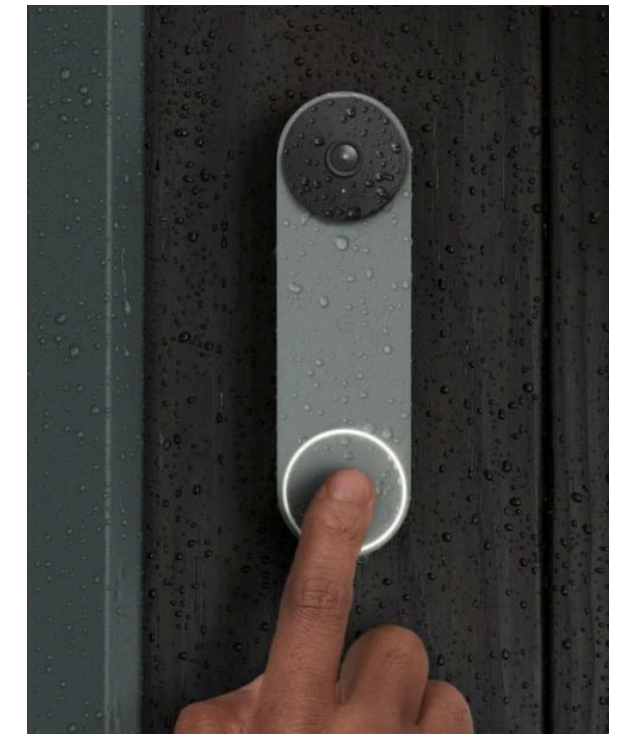
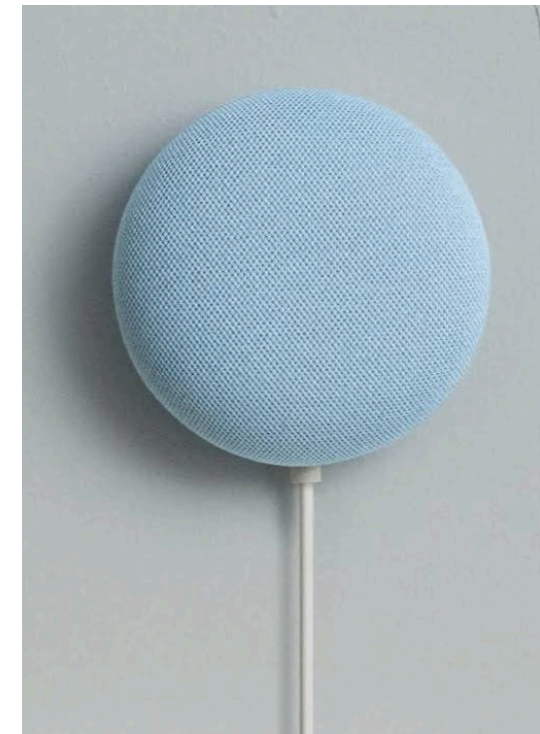
Metals provide a polished, sophisticated look while ensuring sturdiness and longevity. The smooth, cool touch of metal enhances the tactile experience, adding to the premium feel.

Premium plastics are chosen for their versatility and ergonomic design potential, often treated for a soft-touch feel to enhance comfort and grip.

Sustainability is a core consideration, with Google incorporating recycled materials like plastics and metals, as well as sustainably sourced fabrics. This commitment ensures materials are safe, environmentally friendly, and contribute to a circular economy.

Comparisons to Google's Smart Home products gave insights on their design, features and general aesthetics.

Experiencing their designs firsthand gave us a clear understanding of the finishes we needed to achieve.



Concept Development

Nest Assured's design is inspired by and rooted in Google's strive create a home that looks after the people inside it.

Compact size

Keeping the size of the device minimal was a key focus. Reducing any wasted space while achieving functional integration between components required careful planning.

Tactile and comfortable

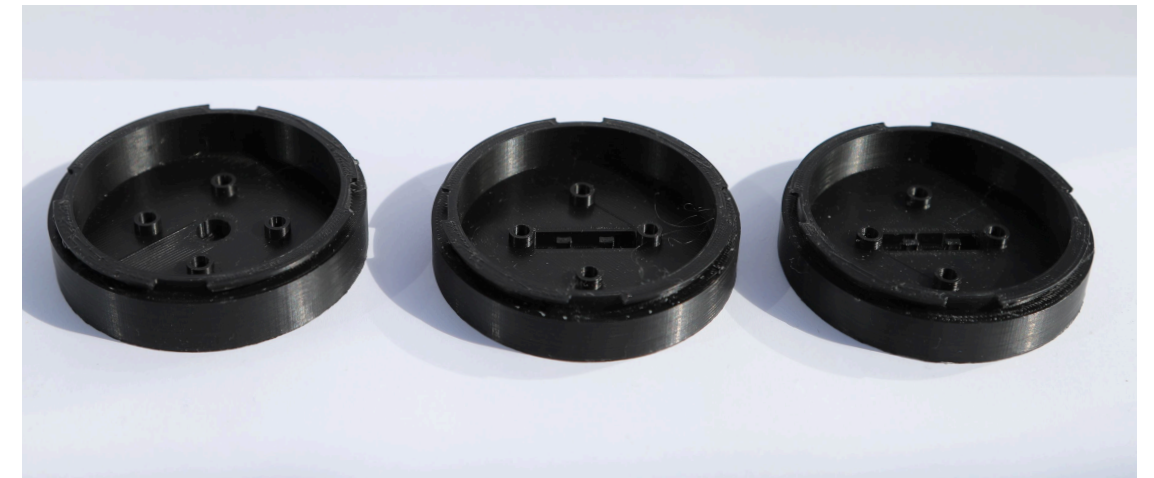
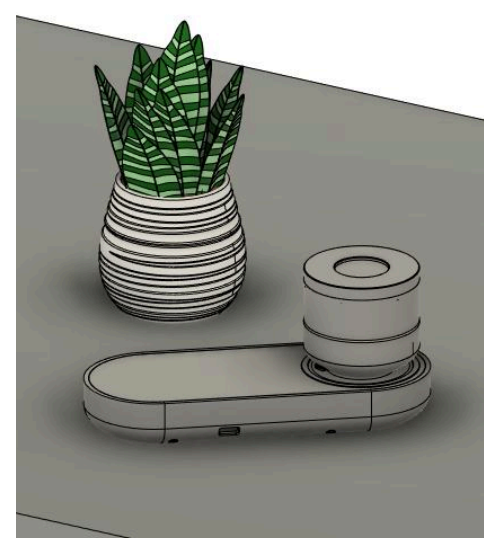
It is crucial for the dial to have unmatched ergonomics and interactions. Initial prototypes made from cardboard and tape developed into 3D printed samples to test size and shape

Aesthetic integration

Although the two parts will be placed in different parts of the bag, keeping the lines, shapes, colors and textures the same really makes them stand out as integrated devices.

User testing

By interviewing the 6 users contacted in the previous user phase and conducting collaboration sessions, Nest Assured physical and digital design was validated.



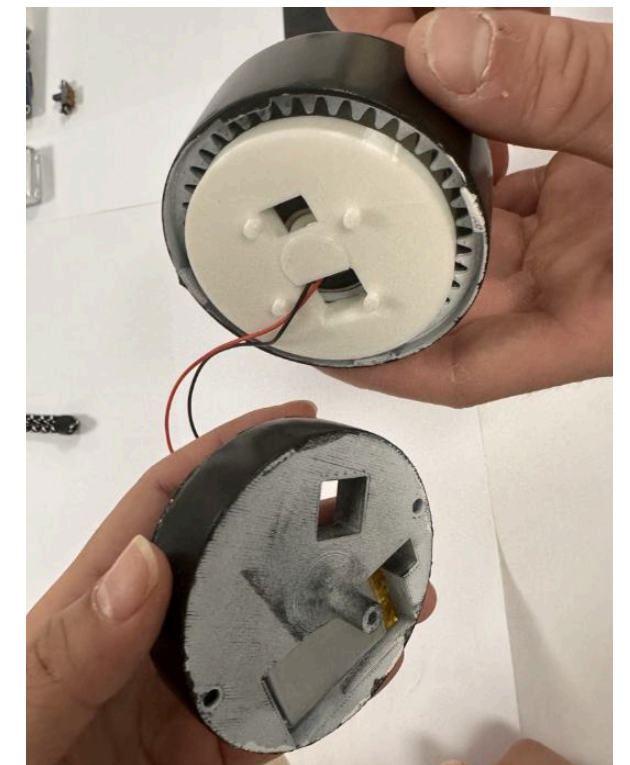
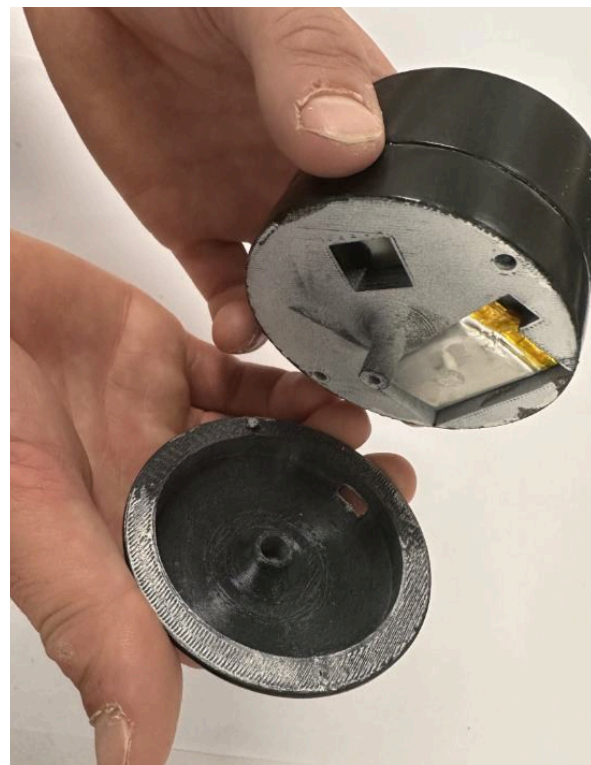
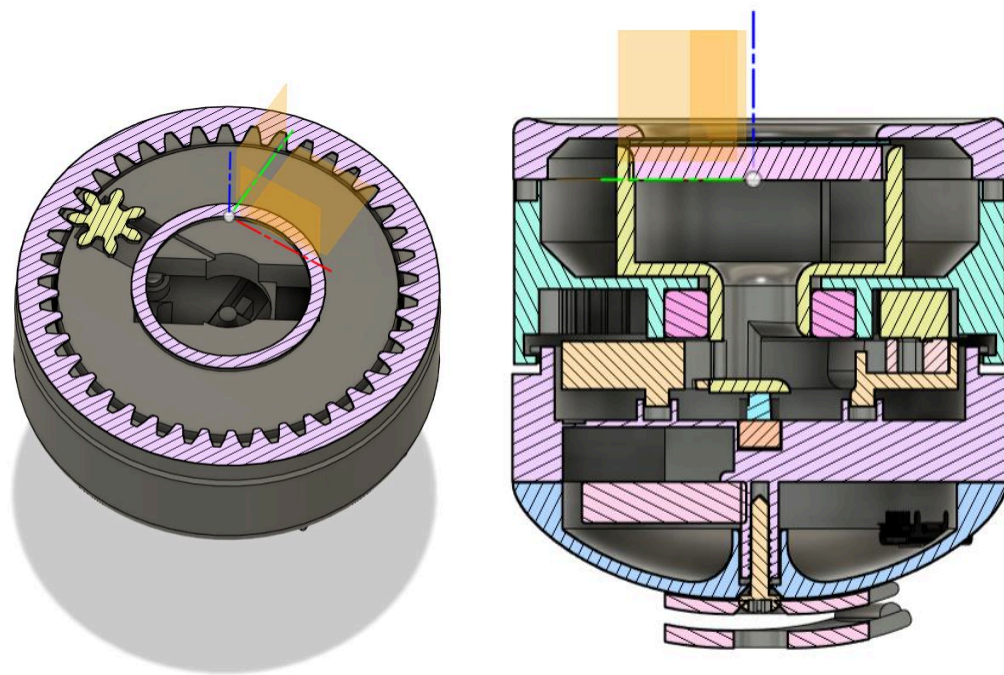
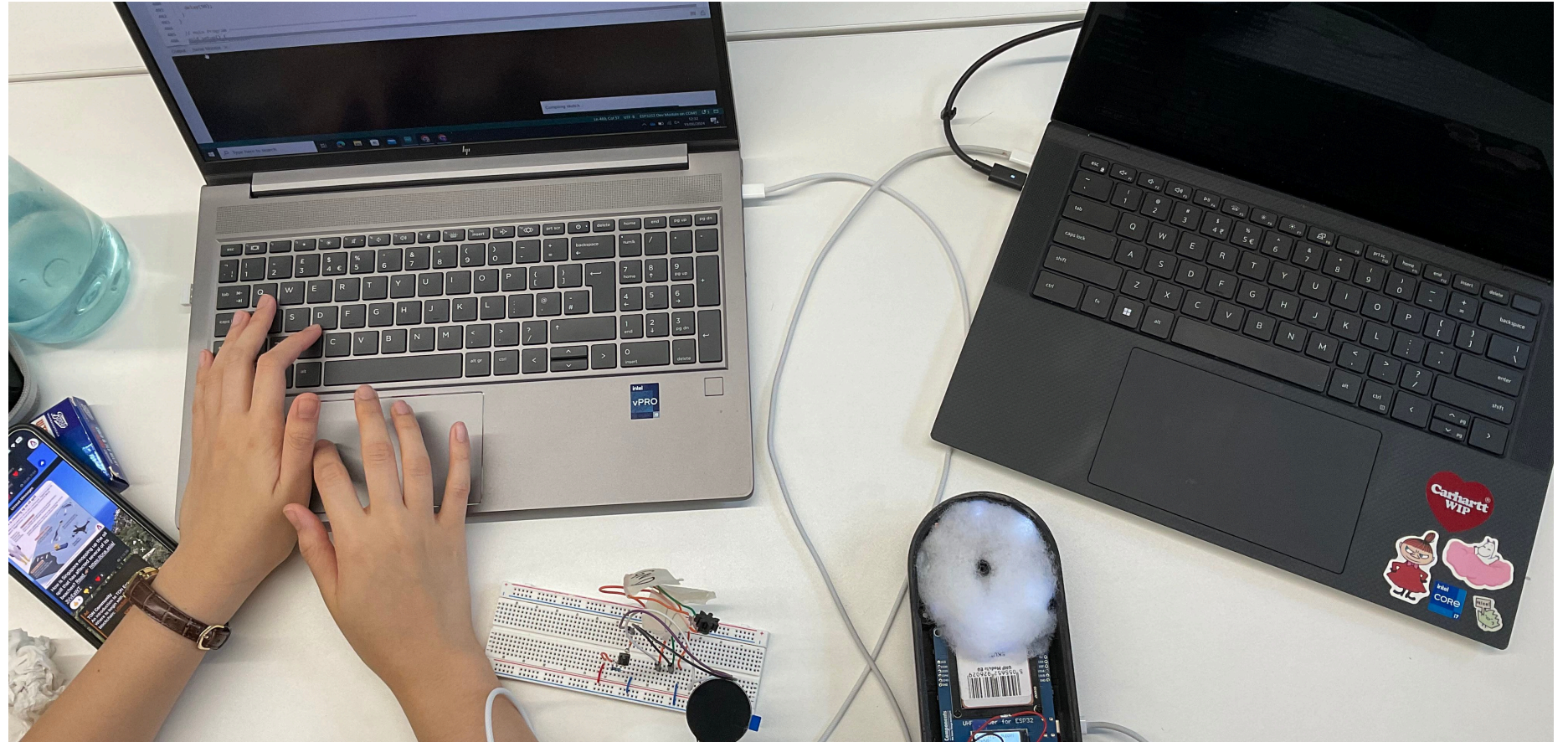
Physical Hurdles

Google's Nest products are designed to be portable and unobtrusive, ensuring they fit seamlessly into various living environments. Multiple CAD iterations were developed to compactly integrate the internal components into an even smaller form.

One of the key issues we faced with designing the device was maintaining the bottom and screen stationary, whilst allowing the top dial to rotate. An internal, hollow, stationary shaft was designed to connect the bottom casing and the screen,

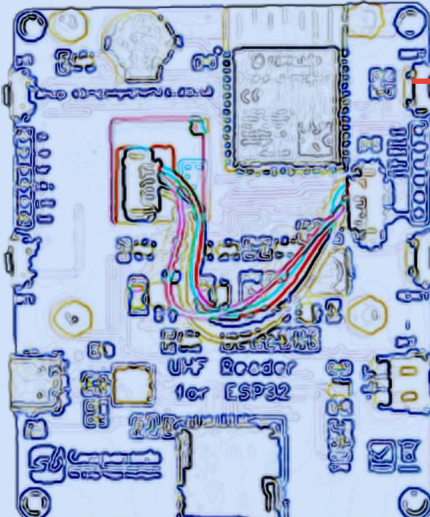
Another critical challenge was allowing space for all of the electrical connections. The most charging wire in particular which runs from the screen to the bottom of the dial was the most intrusive as it uses a much thicker cable than the other electronics.

The section analysis tool was useful to see the inner workings.



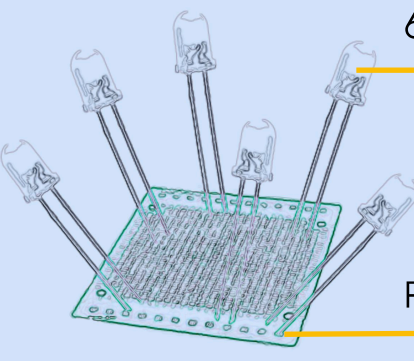
Standardised Components:

System Control:



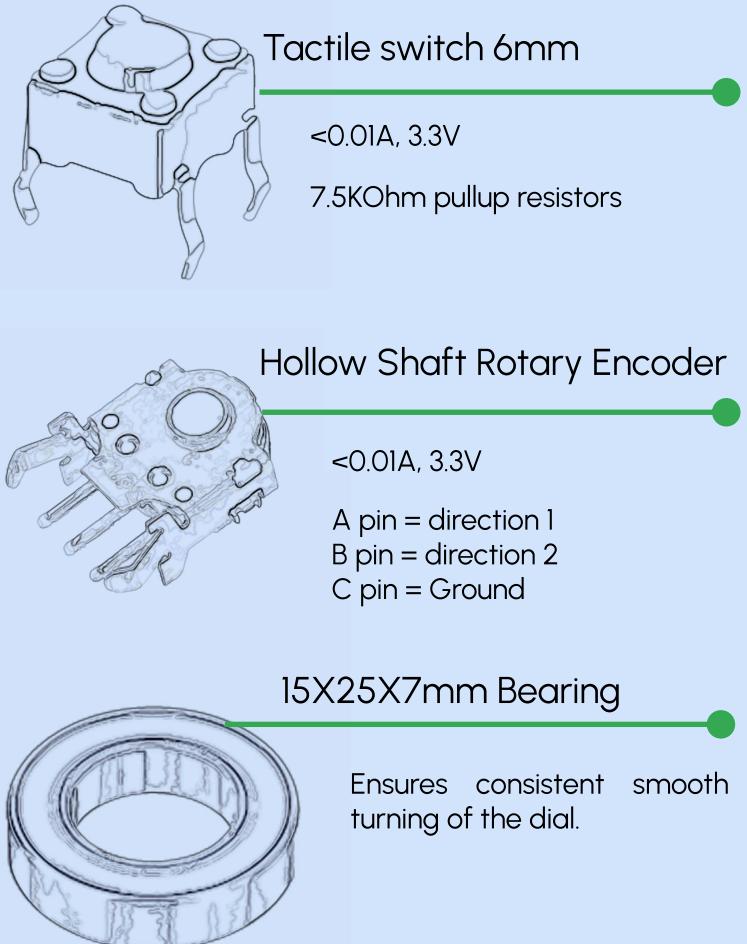
- UHF RFID ESP32 Module**
 - Up to 1.5m range
 - Multiple read - up to 50 tags per second
 - Operating pin voltage 3.3V
 - Board supply 5V
 - USBC and Battery plugs
- ESP NOW**
 - Communication with ESP NOW
- ESP32 LCD Screen 1.28"**
 - 3.5V battery supply required
 - Built in Accelerometer and Gyroscope

Base Components:



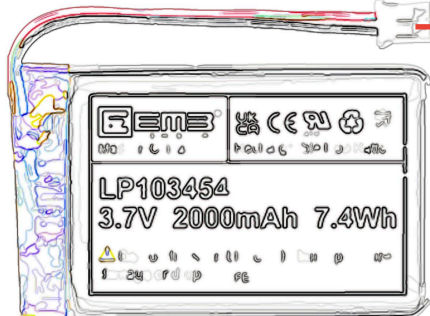
- 6X White LED**
 - 3.3V, 0.02A
 - Connected to individual GPIO pins
- Prototype Board**
 - Would be a custom PCB in a production run
- Slide Switch**
 - <0.01A, 3.3V
 - Used to turn the baseplate on and off

Dial Components:

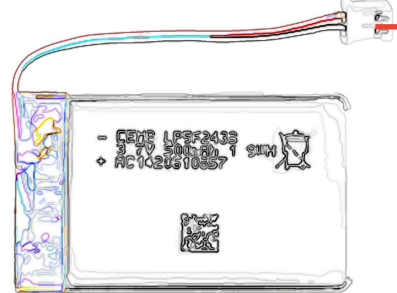


- Tactile switch 6mm**
 - <0.01A, 3.3V
 - 7.5KOhm pullup resistors
- Hollow Shaft Rotary Encoder**
 - <0.01A, 3.3V
 - A pin = direction 1
 - B pin = direction 2
 - C pin = Ground
- 15X25X7mm Bearing**
 - Ensures consistent smooth turning of the dial.

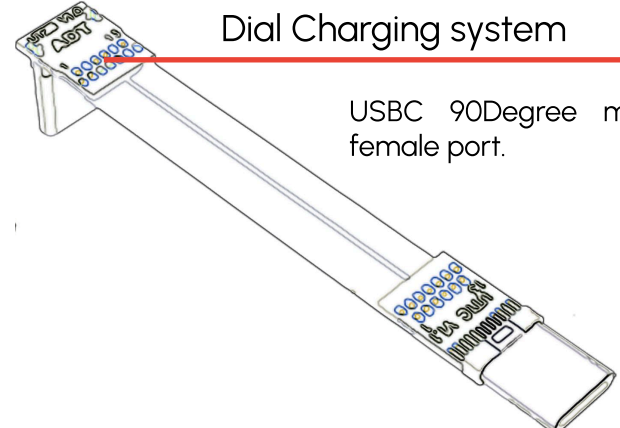
Power Management:



- Base Battery**
 - 3.7V 2000mAh Lipo attery
 - Built in BMS
 - Higher storage capacity than the screen as there are more intensive components



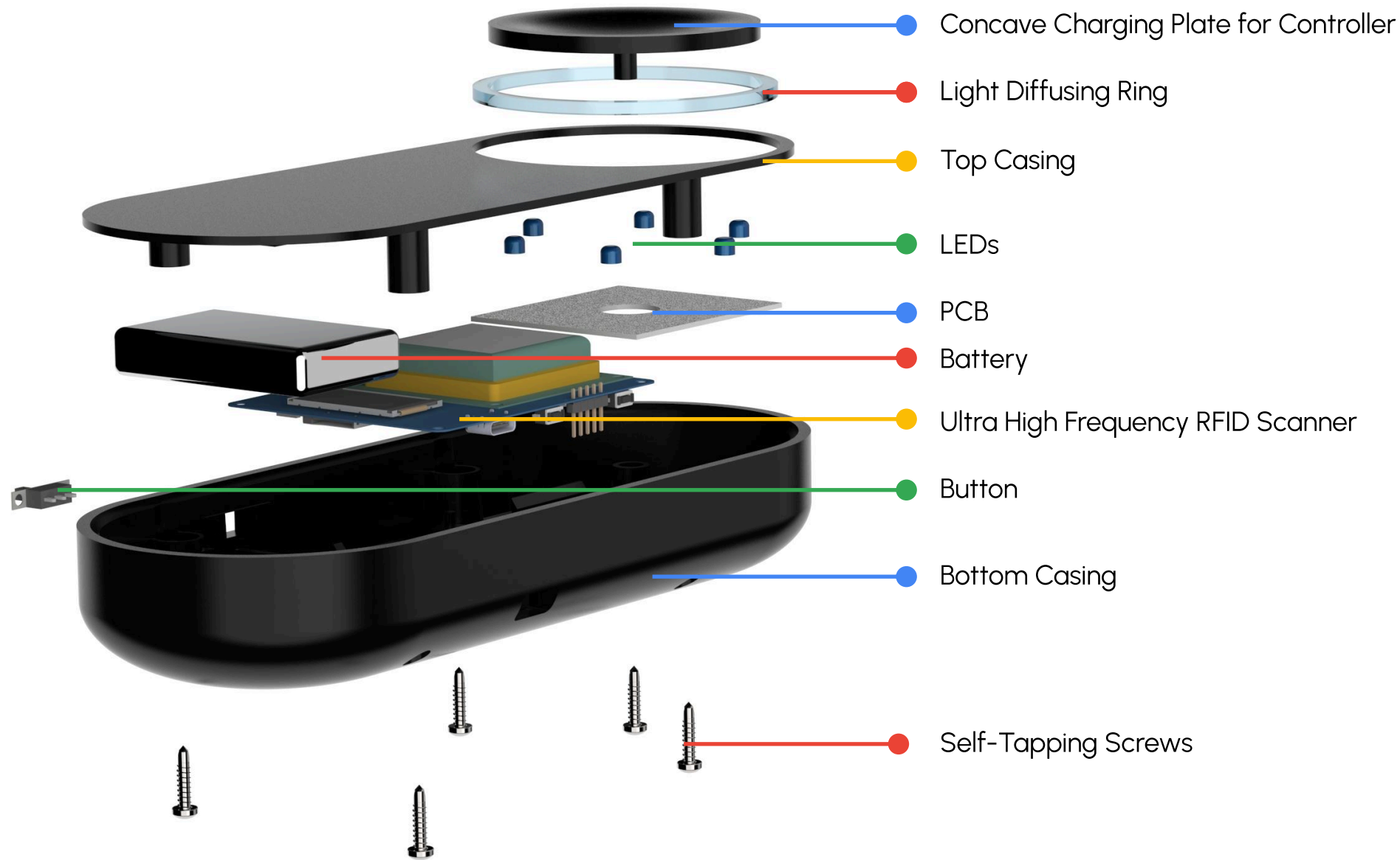
- Dial Battery**
 - 3.7V 500mAh Lipo battery
 - Built in BMS
 - Recommended capacity from screen manufacturer.



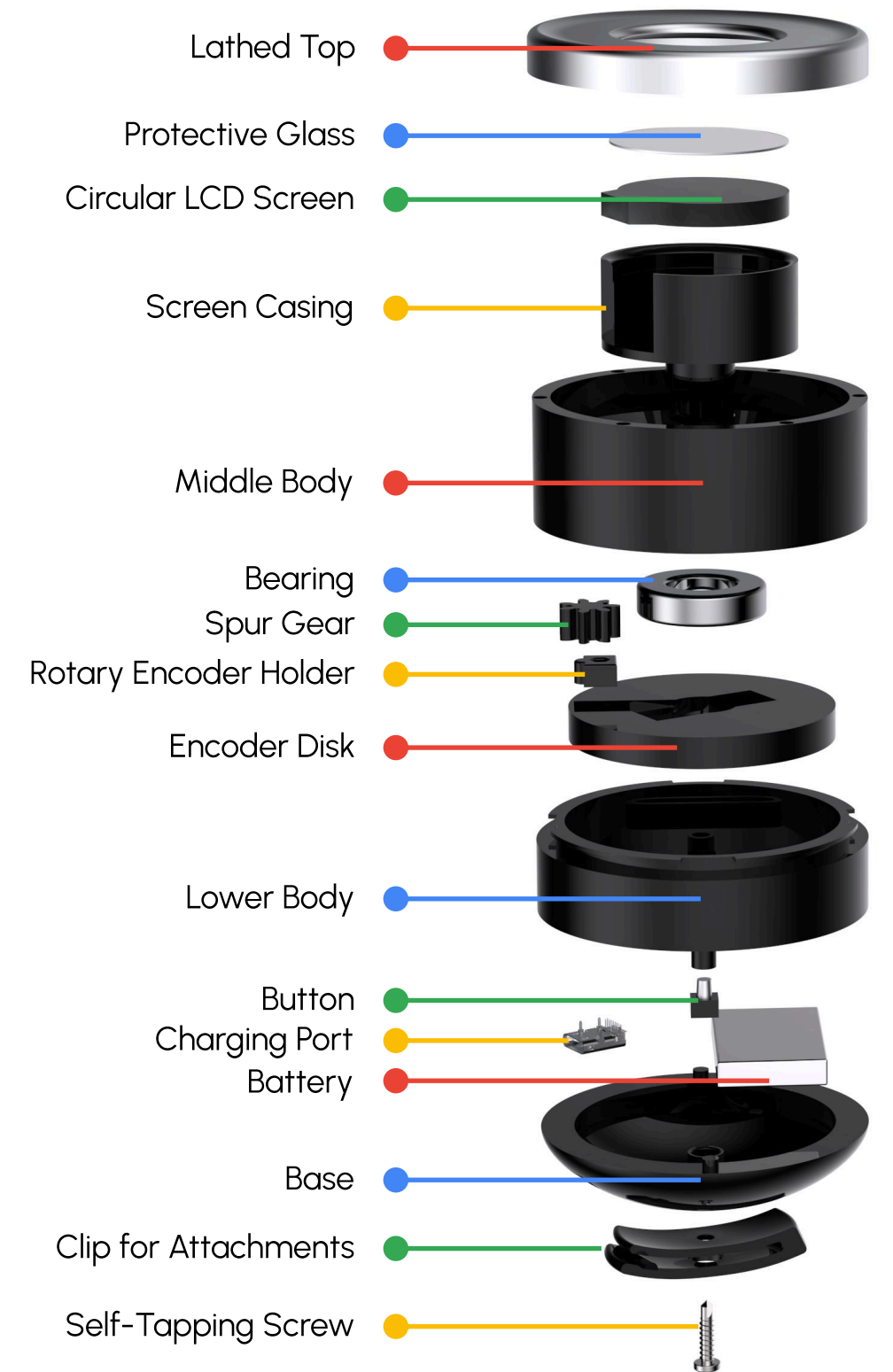
- Dial Charging system**
 - USBC 90Degree male, to female port.

 **Estimated recharge interval: Once a week**

Scanner



Controller





Ergonomic Concave Dial

Lathed with aluminium, the smooth round dial provides tactile comfort, functional precision and premium feel, instigating further interaction with the device.

Seamless

By incorporating ribs, grooves, and raised edges within the product, the material remains hidden from sight. This seamless design merges the components into a single, unified product.

Tactile feedback

The effortless adjustment mechanism offers immediate feedback, creating a harmonious and streamlined interaction.

Ergonomic Comfort


The smooth, curved surface ensures a comfortable hold, offering a natural grip and reducing pressure points for the user.

Multi-functional attachment

The interchangeable, customizable attachment enhances the design, offering a secure and visible method for transporting the product while on the move.




Clear Glass



The luminescent ring serves as a clear visual indicator of where to position the product, providing an sophisticated look and an aesthetic sensory integration.

Polished Aluminium



The metal bezel elegantly frames the screen, enhancing the picture with a seamless extension. Its cool-to-touch surface and sleek, contemporary appearance add sophistication and convey a premium feel. This aligns perfectly with Google's commitment to quality and durability.

Premium Plastic

The premium material ensures a durable, impact resistant, consistent look across the product, providing a lightweight and comfortable experience

Glossy Coating

The black coating provides an extra layer of protection and a smooth, shiny finish which enhances the quality of the product and grounds the product in Google's Smart Home line-up.

Enhancing everyday life

'At Google Nest, our mission is to create a home that takes care of the people inside it and the world around it. For us, the home of the future is not a smart home, it's a helpful one.'



Nest Assured

£99.99

6W x 12H x 7.2D cm

"Be prepared. Stress less"

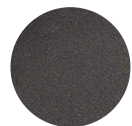
Compact Timeless Resistant



Aluminium



Black matte



Rubber coating

High end products are lightweight yet sturdy, ensuring it can withstand regular use and maintain its aesthetic appeal over time.



Nest Cam

£89.99

7.28W x 11.45H x 6.92D cm

"Know more. Worry less"

Protective Sleek Reliable



Rubber coating



Black matte



Technology

"Set yourself apart from competitors"



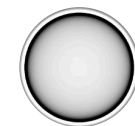
Nest Doorbell

£179.99

4.6W x 16H x 2.4D cm

"Know more. No wires required"

Glowing Smooth Modern



Light ring



High-grade plastic



Speaker

"Your helpful home starts here"



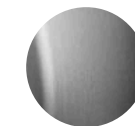
Nest Thermostat

£219

4.2W x 4.2H x 3.08D cm

"It's easy to save energy"

Metallic Crisp Sturdy



Bezel



Glass


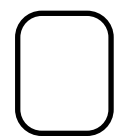
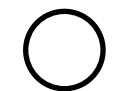

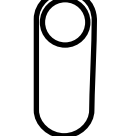




High-grade plastic

Home products are generally small, portable and compact

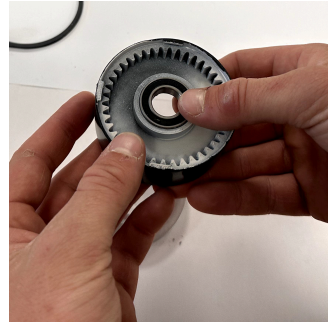
Google Environment

After rendering our final product we integrated it into the environment alongside other Google product ranges.

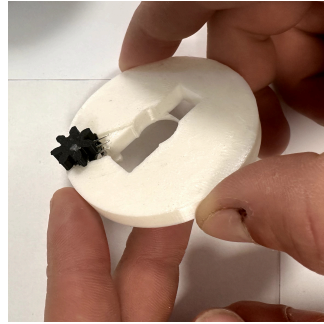
-  Nest Mini
-  Nest Audio
-  Nest Thermostat
-  **Nest Assured**
-  Nest Doorbell
-  Pixel Tablet
-  Nest Cam



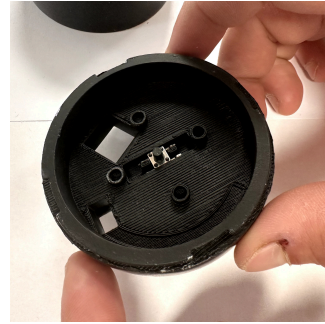
Controller



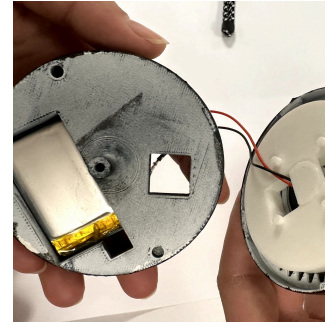
Press bearing into middle body



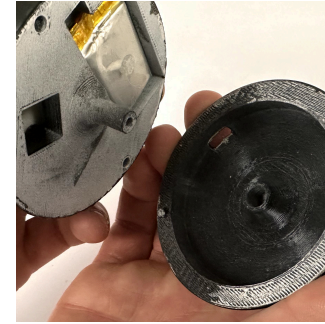
Place rotary encoder onto holder



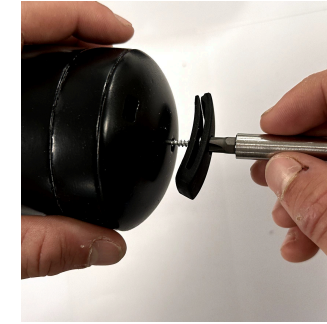
Attach button to underside of lower body



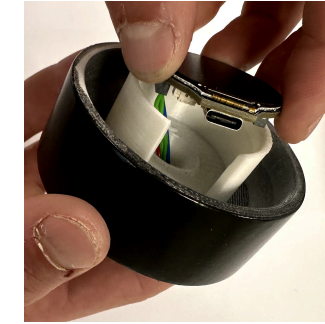
Attach battery and feed cable through



Attach base



Screw clip-on onto base

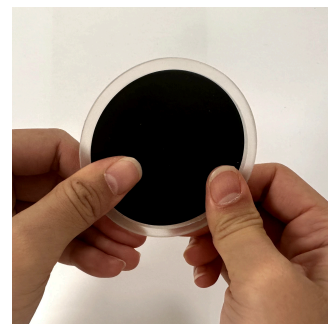


Attach screen to the holder

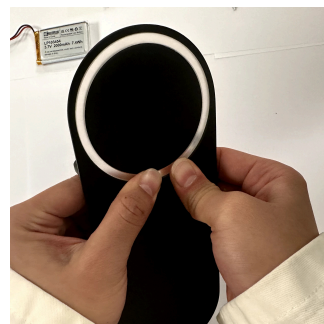


Attach lathed top

Scanner



Push charging plate through ring



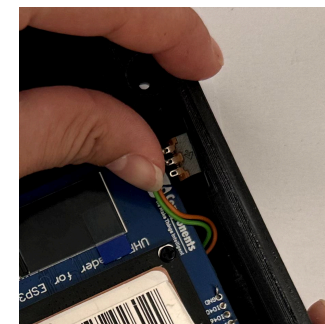
Place both parts through the top cover



Lay UHF RFID Reader and push PCB into snap fits



Attach battery and connect



Feed power button through cut-out slot



Add cotton gauze for light diffusion



Place lid



Screw close the case



Total assembly time:
14 mins 29 seconds



Total assembly cost:
\$1.70 USD

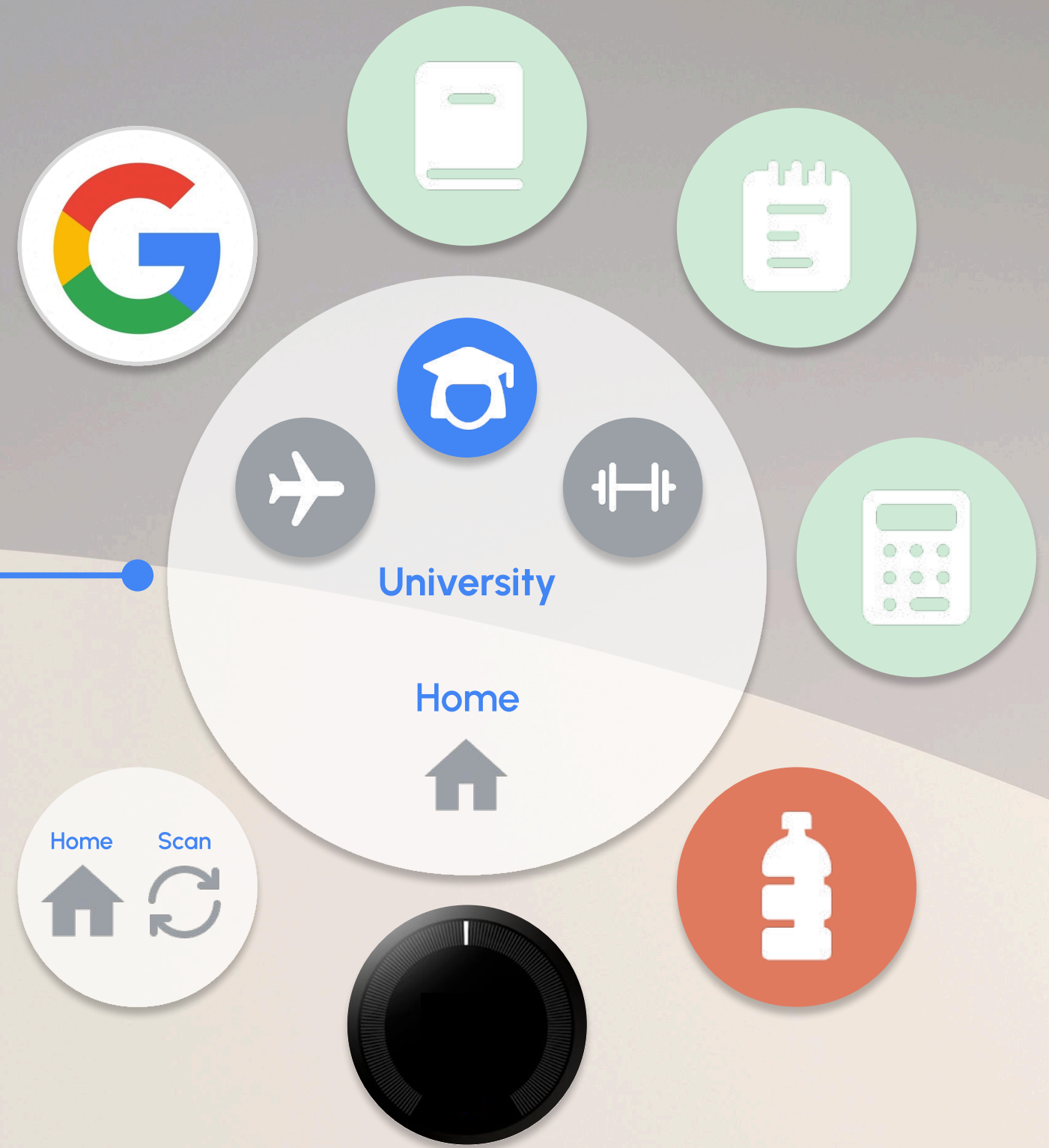
Based on 7 USD per hour rate

Intuitive

The UI is designed to be simple and clean, minimizing distractions for users. Icons are used instead of text, making the interface clearer, especially for young people with ADHD who can be easily overwhelmed.

Effortless

The key design feature of the UI and dial is its one-hand operability, allowing navigation through just two interactions: rotating and pressing the dial.

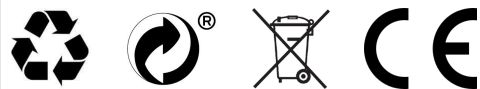


Packaging Compliance

Relevant standards added to the packing



Actual product color may vary from the image
 Imported into the EU by
 Google Commerce Limited
 70 Sir John Rogerson Quay, Dublin 2, Ireland
 Designed by Google. Made in Thailand.



Safety Guide

CAUTION!

Do not expose Nest Assured to liquids.

It can cause damage to the electronic components

HEALTH AND SAFETY

- Read these instructions
- Keep these instructions
- Heed all warnings
- Follow all instructions
- Do not expose device to liquids
- Do not disassemble, crop, band, burn, crush or puncture device
- Do not use device if screen is cracked or broken
- If it gets wet, do not attempt to dry it using an external heat source
- Do not use device in the bathroom

- Only use attachments/accessories specified by the manufacturer
- Refer all servicing to qualified personnel. Servicing is required when the device has been damaged in any way, such as power-supply cord or screen is damaged, liquid has been spilled or objects have fallen into the apparatus, the apparatus has been exposed to the rain or moisture, does not operate normally or has been dropped.
- **WARNING:** To reduce risk of fire or electric shock, do not expose device to rain or moisture. Do not expose this equipment to dripping or splashing and ensure objects filled with liquids, such as water bottles, are correctly sealed.

Electrical Shock Hazard Symbol warns users of the risk of electric shock if the product is mishandled or if protective measures are not followed.



Exclamation point within an equilateral triangle alerts users to the presence of important operating maintenance (servicing) instructions in the manual accompanying the product.



The product can be turned off completely by switching button off. Mains socket must always be accessible and unobstructed to charge

Electrical and electronic equipment, ports and batteries marked with the WEEE symbol must be collected and disposed of separately to protect the environment. Google retailer will advise you of the correct disposal method in your country.



IMPORTANT!

- Do not expose device to direct sunlight.
- Make sure device is set up, placed and connected in accordance with the instructions.
- Do not place heavy items on top of your product.
- Do not subject the product to high humidity, rain or sources of heat.
- The product is designed for indoor use in dry environments only. Use within a temperature range of 0-25°C

Additional Support

Google
Nest Assured

Additional information at:
g.co/nestassured/support

Care And Cleaning

- Unplug device and adaptor before cleaning
- Unplug device during lightning storms
- Unplug device when unused for long periods of time
- Use clean soft, dry cloth to clean device
- Don't use any chemical detergent, powder or other chemical agents (such as alcohol or benzene) to clean device

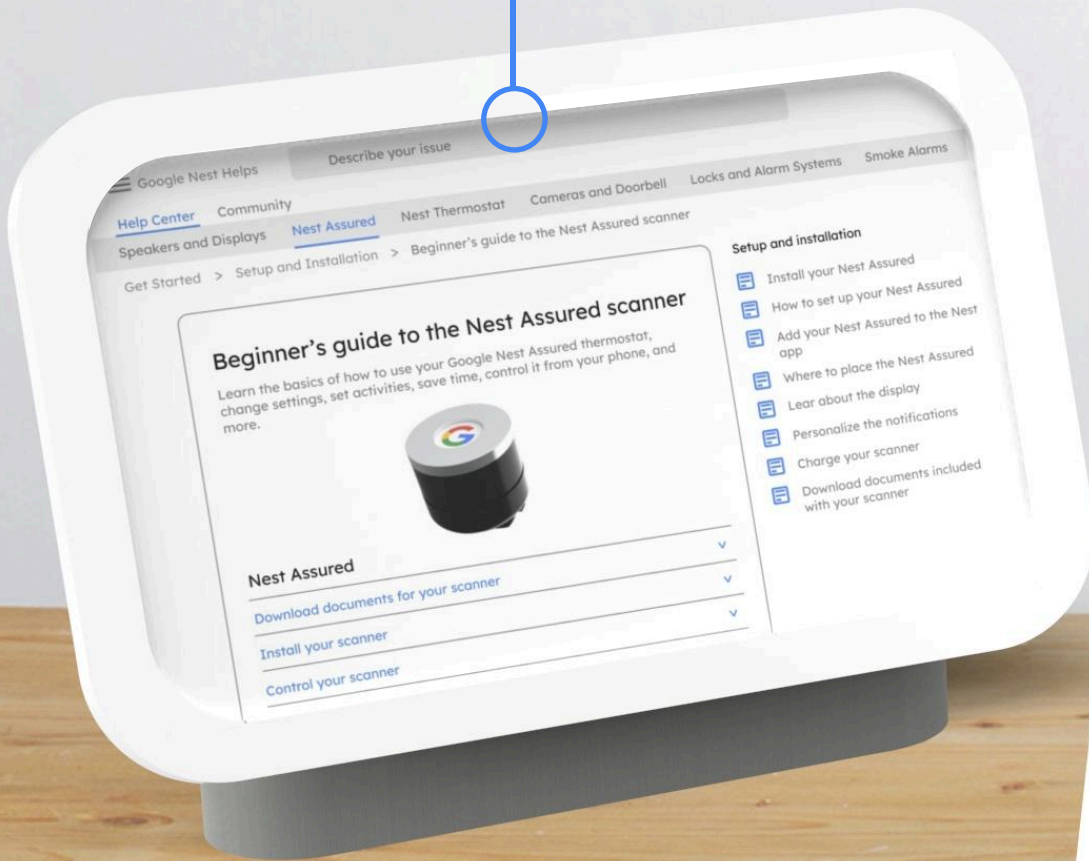
Product Labelling

MODEL N0776ST. ASSEMBLED IN THAILAND.
 Google 70 Sir John Rogerson Quay, Dublin 2, Ireland



Detailed User Guide

Online user guide offers detailed troubleshooting information and can be accessed using the URL code provided on the packaging



Eco-friendly

While Google's standard packaging reflects the company's broader commitment to environmental responsibility, **challenges remain in achieving full sustainability due to supply chain complexities, the use of mixed materials, and the need for better recycling information.**

Standard Packaging

Google typically features a clean, minimalist design with a focus on simplicity and elegance

- Color Scheme**
White or light background with Google's signature colours
- Material**
Boxes made from high-quality, sturdy cardboard.
- Branding**
Google logo and product name is displayed on the front.
- Image**
High-quality image of the product on the front of the box.
- Text**
Minimal, clean text, focusing on product name and key features.
- Organisation**
Well-organised, with compartments and protective inserts.



Included Manual

Manual provides quick start guide and safety guidelines




Sustainable packaging


Integrated User Guide

Internals of packaging display the quick setup guide





Nest Assured

- 1  Place scanner in bag
- 2 Set-up activities
- 3 Pack and check
- 4 Ready to go!

Be prepared. Stress less.

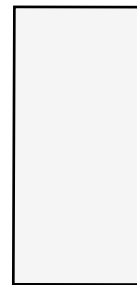


Maintaining Standard




Google is consistently committed to privacy

Printed Manual

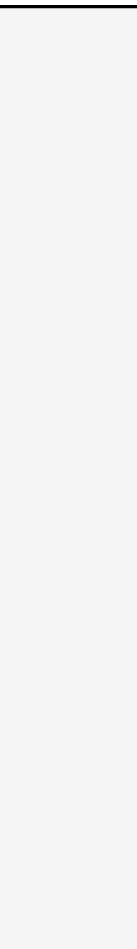
Start guide is printed on the side for clear, visual guidance



Let's get started

- 1  Connect your google adaptor to your Nest Assured and plug it in
- 2  Place Dial on charging port
- 3  Select + to add activity

Google To discover more about your Nest Assured, visit g.co/nestassured



Being part of your day means respecting your privacy

Here's how to control your privacy on Google Nest Assured

Google

Mechanical Sealing

Interlocking mechanism eliminates need for adhesives or plastic and simplifies production process



Safety, warranty and regulatory guide for Google Nest Assured

This booklet provides important safety, regulatory and warning information that you should read before using your Nest Assured. You can find an online version of this document at g.co/nest/legal

WARNING: HEALTH AND SAFETY INFORMATION

Basic safety: To avoid damaging your device, accessories or any connected devices and to reduce the risk of personal injury, discomfort, property damage or other potential hazards, follow the precautions table and those found in the nest Assured safety, warranty and regulatory guide at g.co/nest/legal.

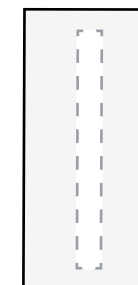
Handle your nest Assured with care. You may damage the device if you disassemble, crop, band, burn, crush or puncture it. Do not use your device if the screen is cracked or broken. Do not expose the Nest Assured to liquids, which can cause a short circuit and overheating, if it gets wet, do not attempt to dry it using an external heat source. Do not use your Nest Assured in the bathroom. Do not expose your Nest Assured to direct sunlight.

Proper handling and usage

Follow these guidelines when cleaning your Nest Assured.

CARE AND CLEANING

Unplug the device and adaptor before cleaning, during lightning storms and when unused for extended periods of time. Use a clean, soft, dry cloth to clean the device and power adaptor. Do not use any chemical detergent, powder or other chemical agents (such as alcohol or benzene) to clean your Nest Assured.



Warnings

Essential warning are printed close and visible to the product

Ideal Packaging



Google's First Item Tracker.

Be prepared.
Stress less.



Milestones

- Idea Validation
- Testing and Quality Assurance
- Electronic Component Coding
- Functioning Final Prototype

May 2024

	WED 1	THU 2	FRI 3	SAT 4	SUN 5
MON 6	TUE 7	WED 8	THU 9	FRI 10	SAT 11
		Deciding on Product			Component Research
Collection of Survey Results		Ideating			
MON 13	TUE 14	WED 15	THU 16	FRI 17	SAT 18
Initial Sketching		Prototyping Lo-Fi			
Final Decision		User Feedback and Validation			
MON 20	TUE 21	WED 22	THU 23	FRI 24	SAT 25
		Choosing Brand and Identity			
Ordering Components	Electronic Planning		Report and Portfolio Template and Layout		

Updates & Revisions

- CAD Iterations
- Shape Feedback and Validation
- Coding Screen
- UX/UI Design of Screen

Learnings

- ESP32 Communication
- Mechanical Interaction
- Product Tolerances
- Environment Rendering
- Video Recording
- Video Editing

June 2024

	MON 27	TUE 28	WED 29	THU 30	FRI 31	SAT 1	SUN 2
MON 3	TUE 4	WED 5	THU 6	FRI 7	SAT 8	SUN 9	
CAD Work				Final Component Ordering		Prototyping (3D Printing)	
Report Writing							
Deciding Product Materials		Coding of Screen					
User Testing		Coding of RFID Reader		Report Writing			
MON 10	TUE 11	WED 21	THU 13	FRI 14	SAT 15	SUN 16	
		Rendering (stills)		Assembly		Video Renders	
Communication Between Boards		Final 3D Prints and Manufacture					
MON 17	TUE 18	WED 19	THU 20	FRI 21	SAT 22	SUN 23	
Filming Day		Video Editing		Finalising Report and Slides			

Key

- Electronics
- Video
- Administration
- CAD and Assembly



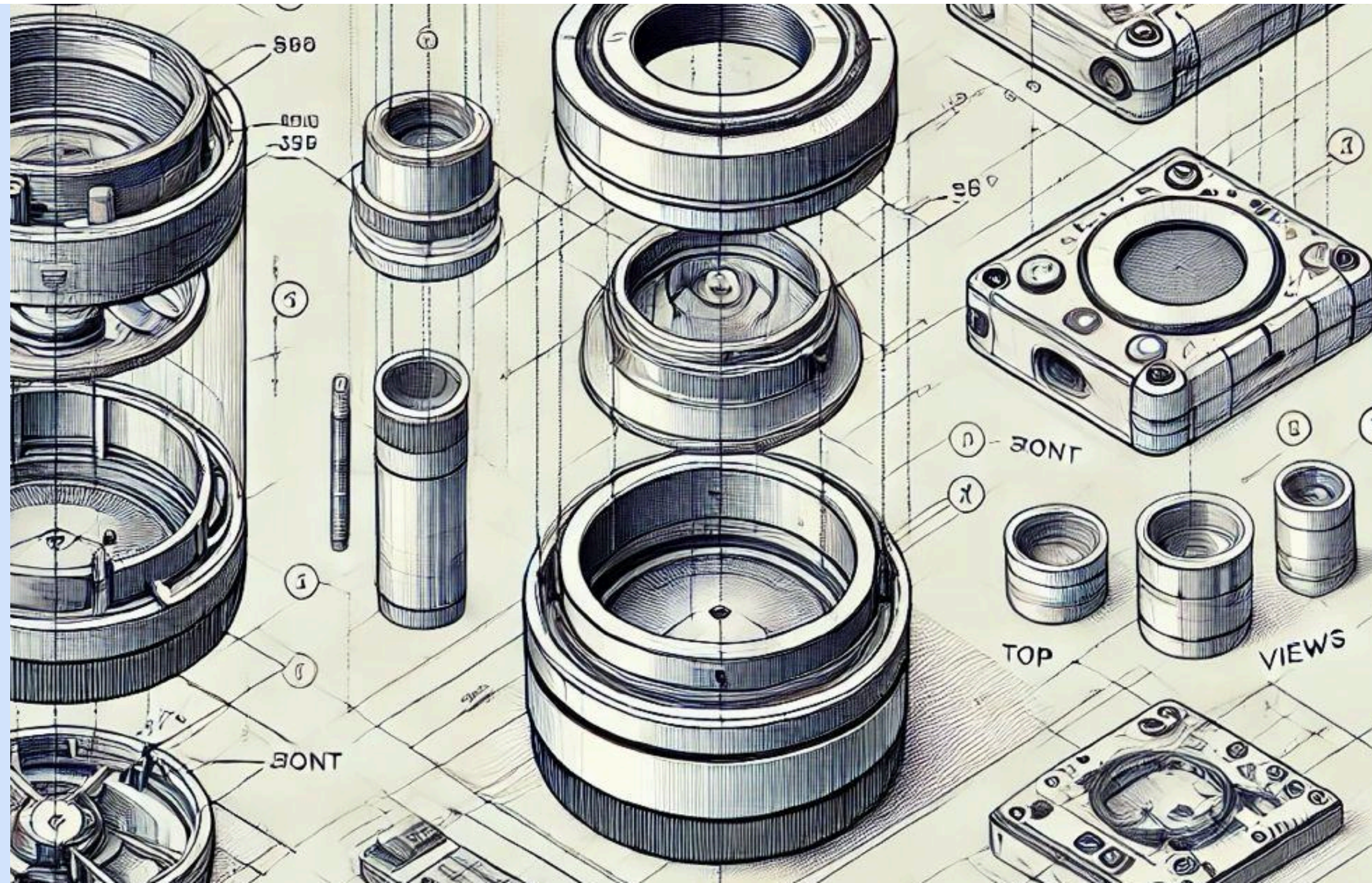
Nest Assured

RFID, ESP NOW, Mechanical Interaction

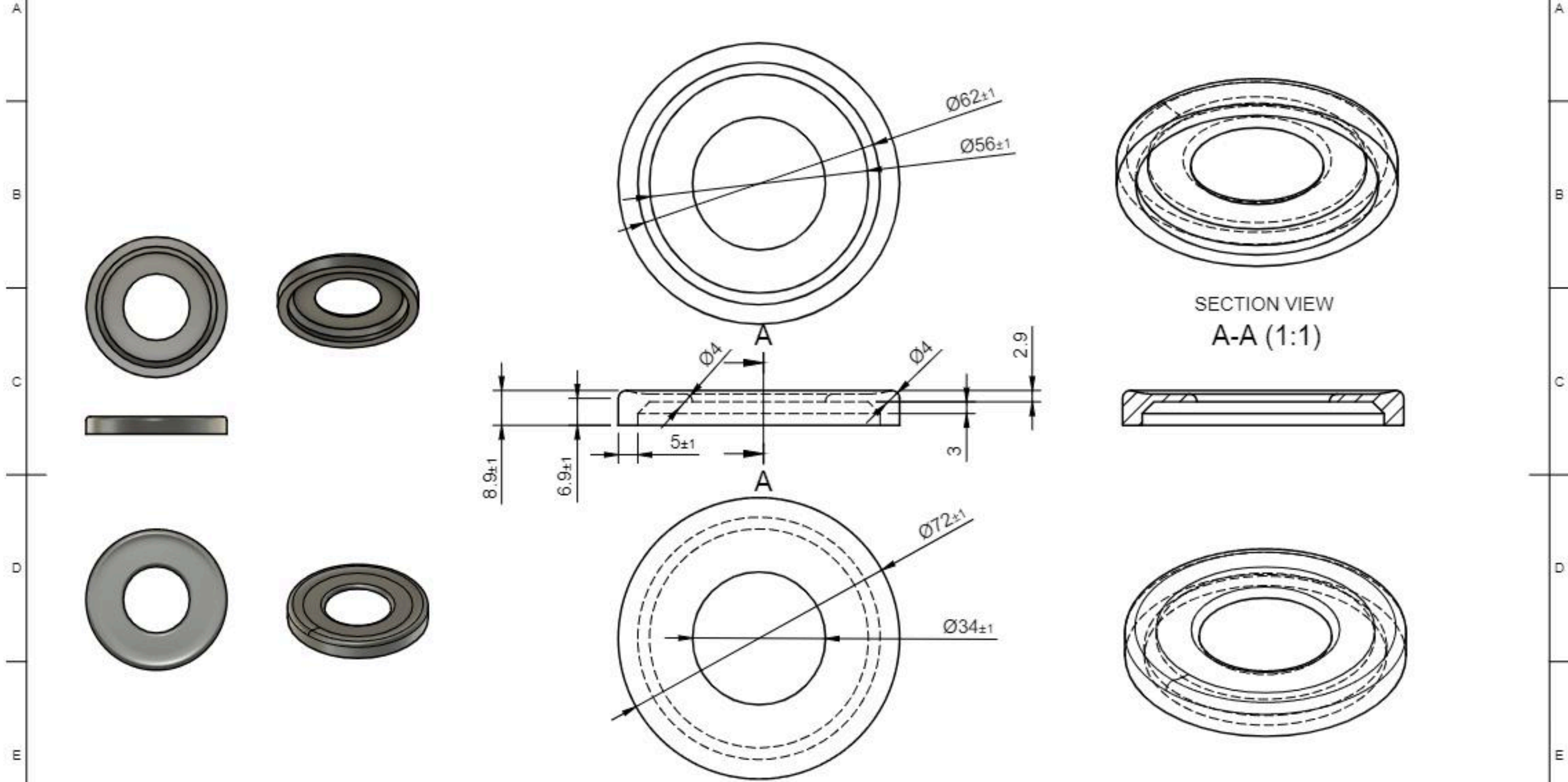
Production Data Package

Dive inside the Nest Assured

Find out more [→](#)



TECHNICAL DRAWING - TOP DIAL



ALL MEASUREMENTS IN MM

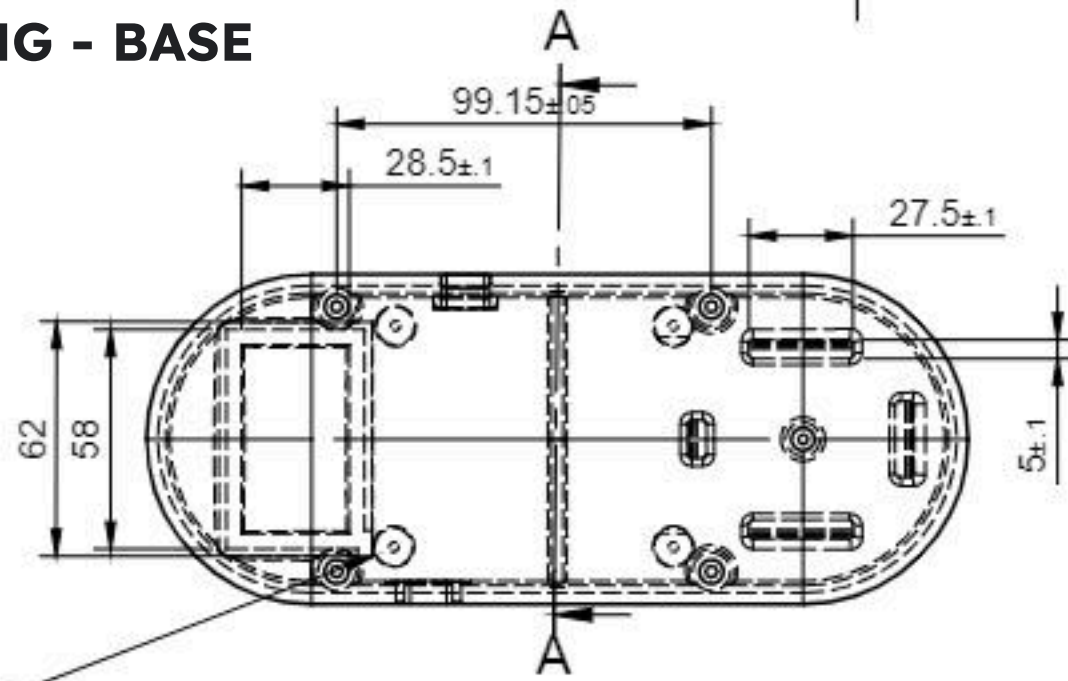
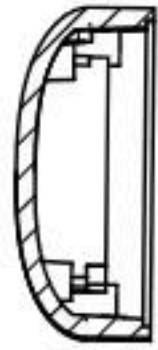
Material: Aluminium

MANUFACTURE METHOD: LATHE

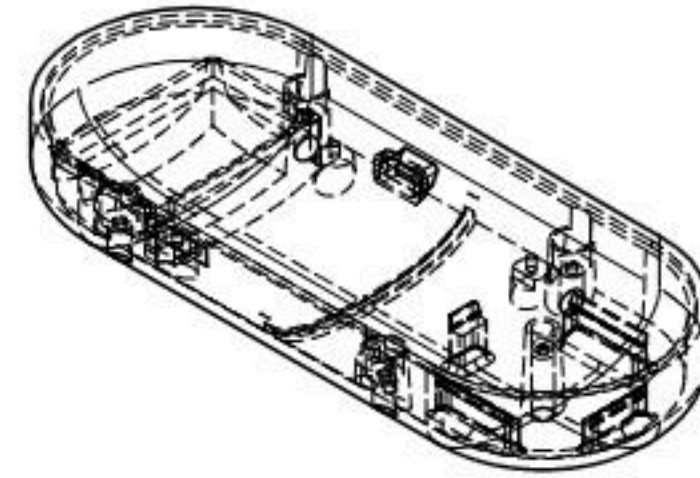
Dept. DE2	Technical reference IDE	Created by Josh Williams 10/06/2024	Approved by
		Document type TECHNICAL DRAWING	Document status
		Title Lipped Dial	DWG No. 0001
		Rev.	Date of issue 17/06/2024
		Sheet 1/1	

TECHNICAL DRAWING - BASE

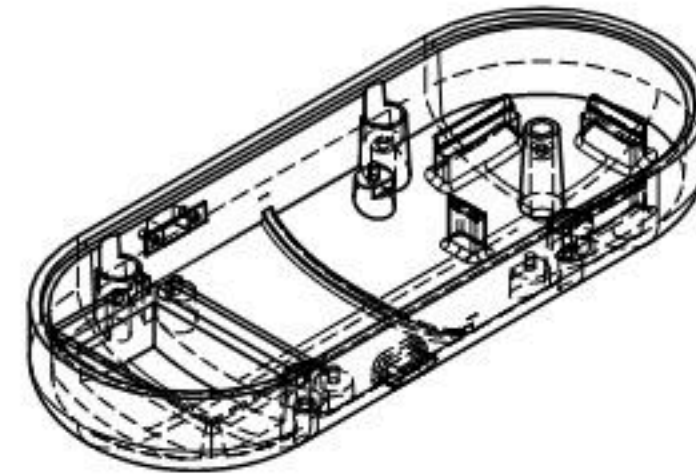
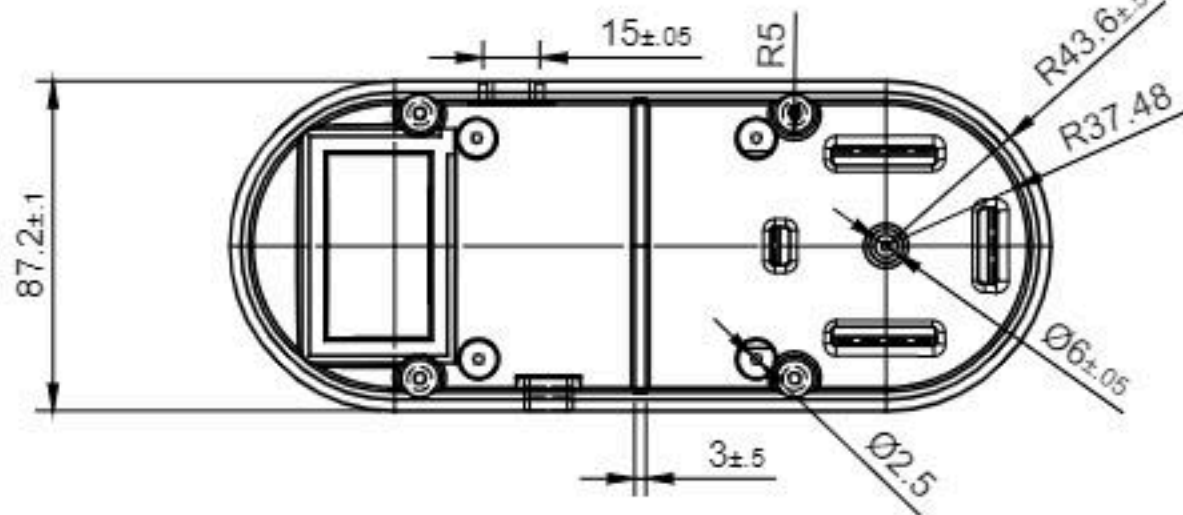
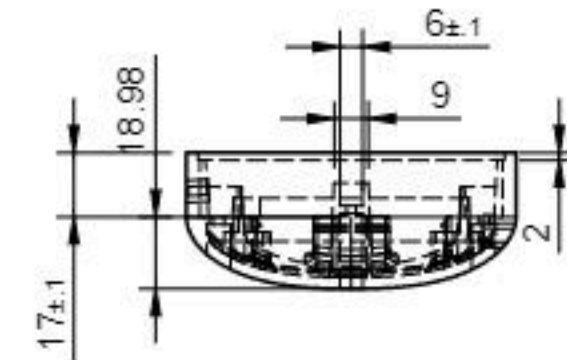
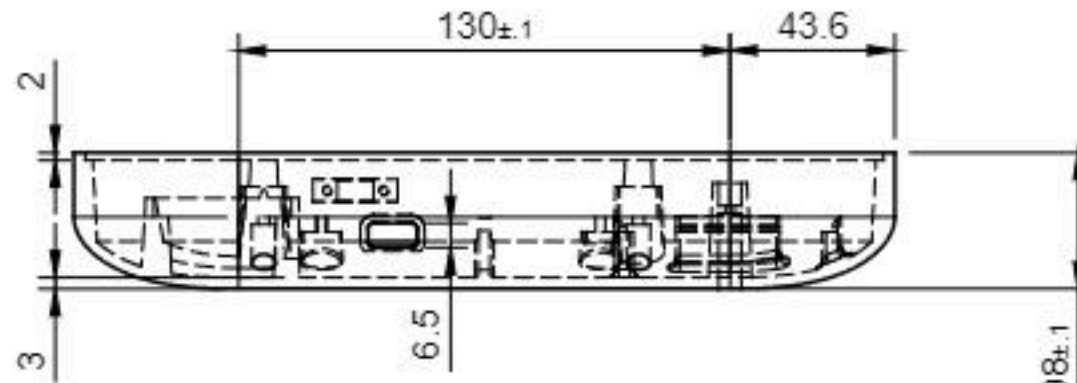
SECTION ANALYSIS
A-A (1:2)



SCALE 1:3



8X BOSSES MUST BE EXACT (+/- 0.05MM) FOR FITMENT TO OTHER PARTS



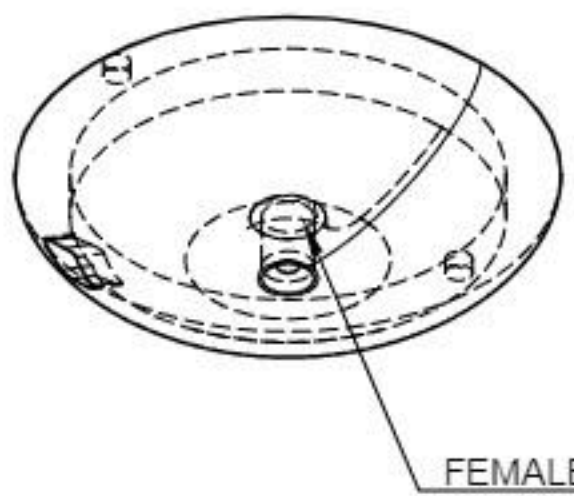
ABS (HIGH IMPACT)

INJECTION MOULDED PART

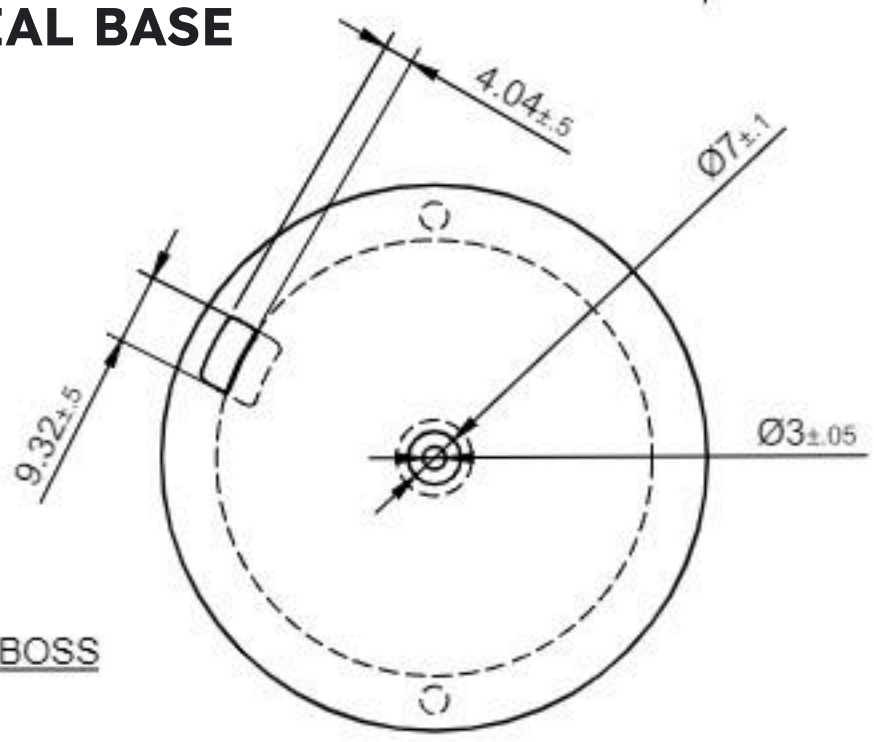
ALL VERTICLE FACES WITH A 2 DEGREE DRAFT ANGLE

Dept. DE2	Technical reference IDE	Created by Josh Williams 17/06/2024	Approved by
		Document type TECHNICAL DRAWING	Document status
		Title BASE PLATE	DWG No. 0002
Rev.	Date of issue	Sheet 1/1	

TECHNICAL DRAWING - DIAL BASE

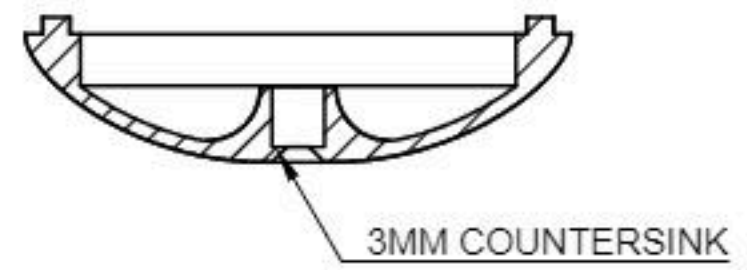
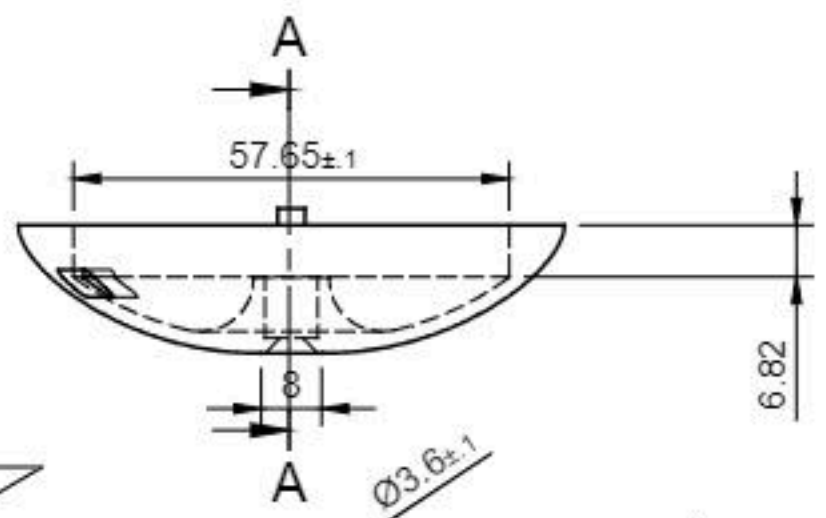


FEMALE BOSS

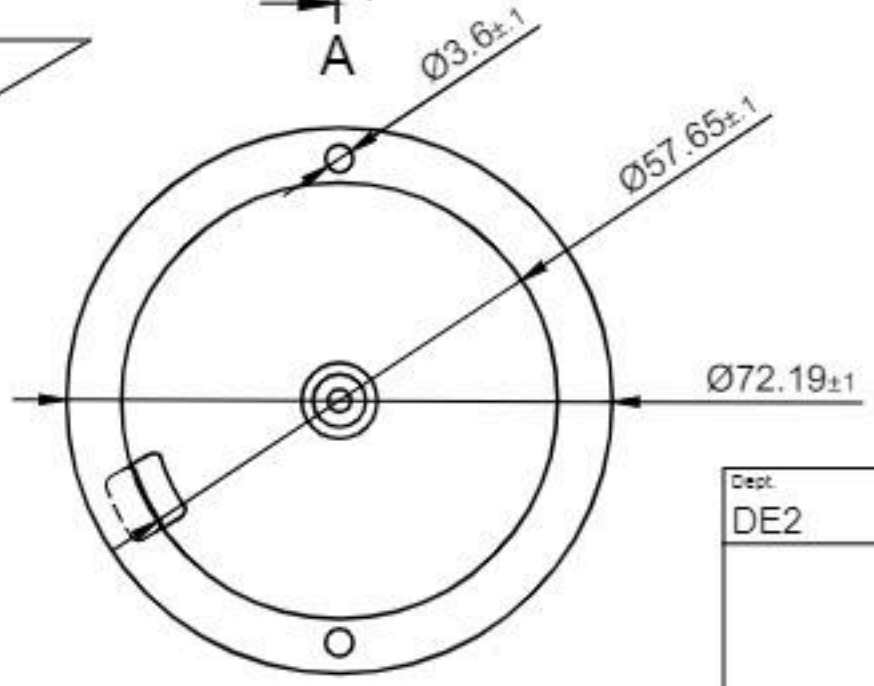
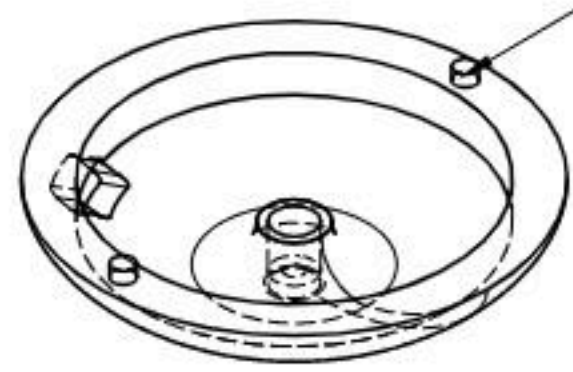


SCALE 1:1
 ABS (HIGH IMPACT)
 INJECTION MOULDED PART

SECTION ANALYSIS
 A-A (1:1)



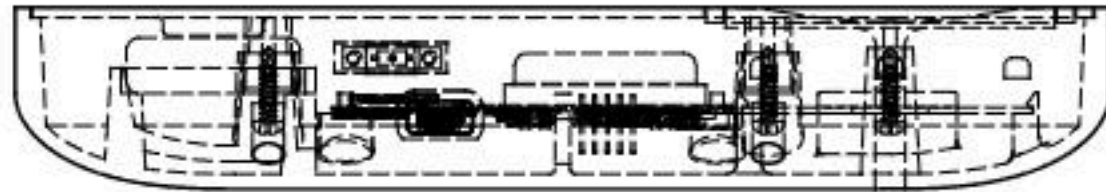
BOSSSES FOR FITMENT
 TO MIDDLE
 COMPONENT



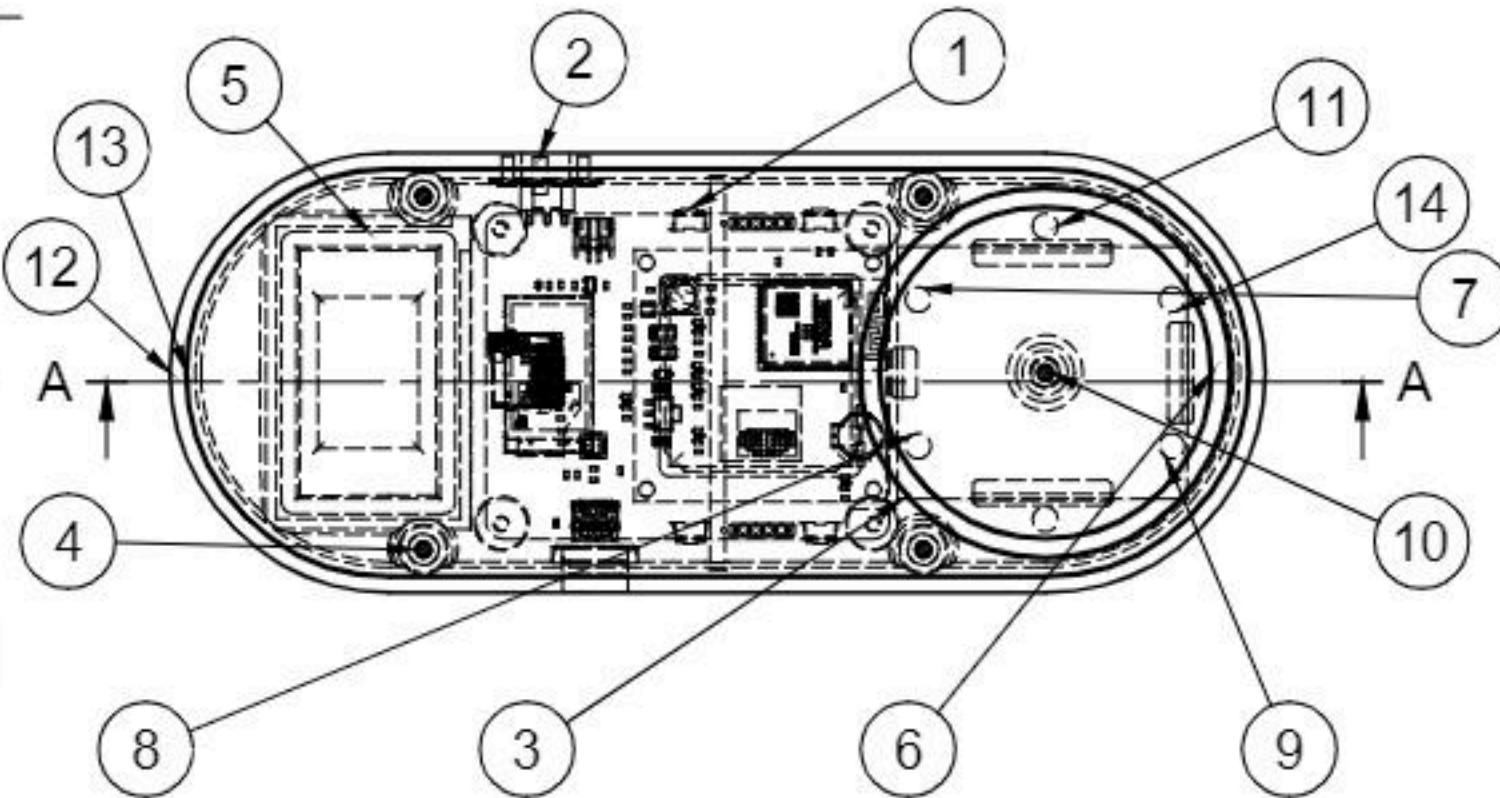
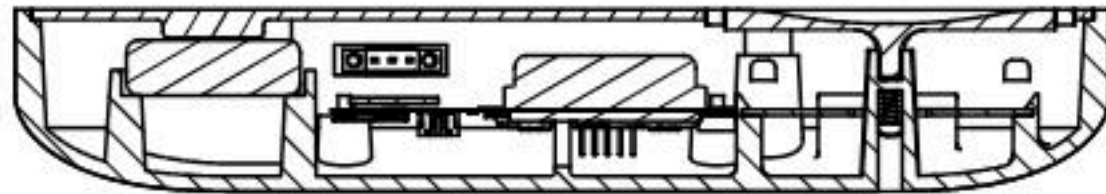
Dept. DE2	Technical reference IDE	Created by Josh Williams 17/06/2024	Approved by
		Document type	Document status
		Title ROUNDED BASE	DWG No. 0003
Rev.	Date of issue 17/06/2024	Sheet 1/1	

TECHNICAL DRAWING - BASEPLATE COMPONENT LIST

SCALE 1:1.5



A-A (1:1.5)
SECTION ANALYSIS



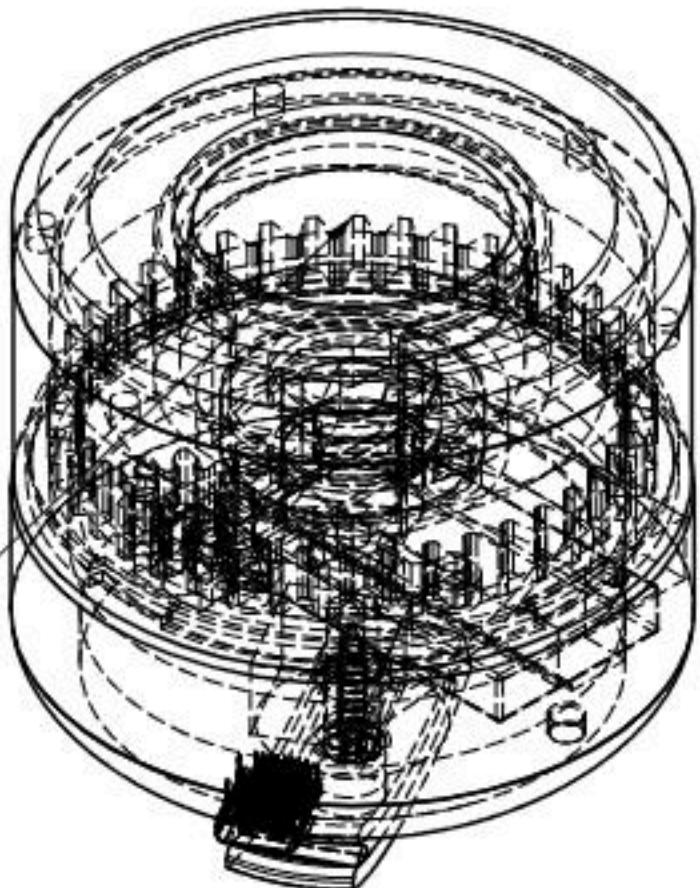
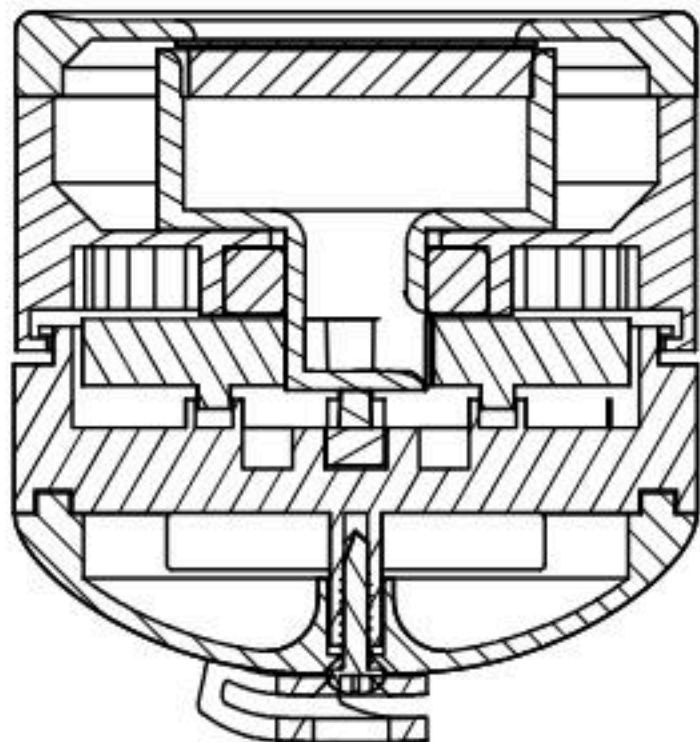
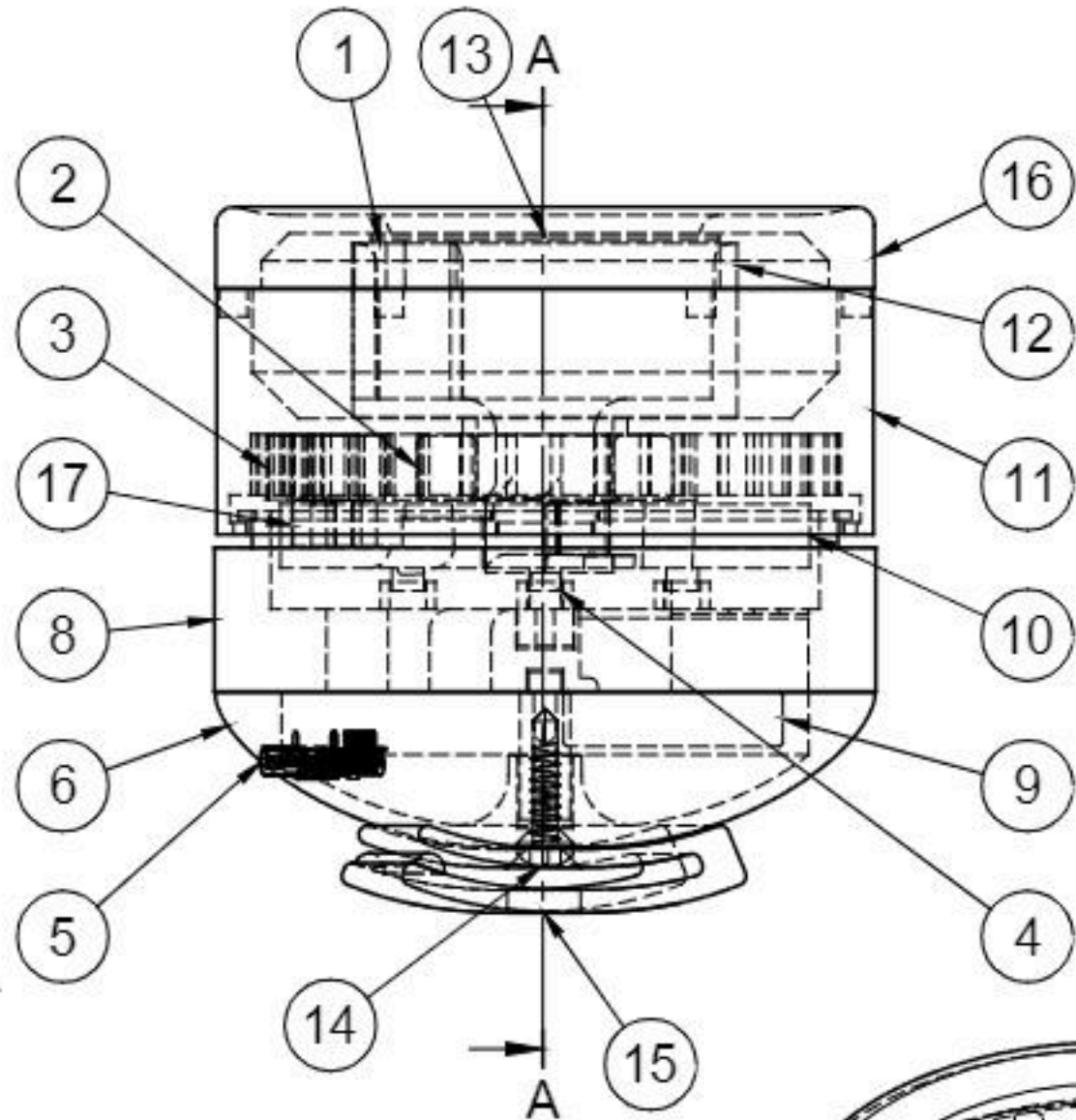
Parts List			
Item	Qty	Part Number	Material
1	1	Step UHF Reader for ESP32	STD.
2	1	Switch	STD.
3	1	LED RING PCB	STD.
4	5	Self tapping screw	STD.
5	1	42X30X9MM BATTERY	STD.
6	1	LIGHT DISK	ACRYLIC
7	1	LED	STD.
8	1	LED 2	STD.
9	1	LED 3	STD.
10	1	MIDDLE DISK	ABS
11	1	LED 4	STD.
12	1	BASE	ABS
13	1	TOP FACE	ABS
14	1	LED 5	STD.
15	1	LED 6	STD.

Dept. DE2	Technical reference IDE	Created by Josh Williams 17/06/2024	Approved by
		Document type	Document status
		Title BASE TECHNICAL DRAWING	DWG No.
		Rev.	Date of issue 17/06/2024
			Sheet 1/1

SECTION ANALYSIS
A-A (1:0.8)

**TECHNICAL DRAWING -
DIAL COMPONENT LIST**

Parts List			
Item	Qty	Part Number	Material
1	1	SCREEN	STD.
2	1	15X22X7MM BEARING	STD.
3	1	SPUR GEER (7 TEETH)	ABS
4	1	BUTTON	STD.
5	1	USB CONNECTOR TYPE C FEMALE v1	STD.
6	1	CURVED BASE 005	ABS
8	1	LOWER EXTERNAL 004	ABS
9	1	30X22X6MM BATTERY	STD.
10	1	INTERNAL DISK 003	ABS
11	1	TOP EXTERNAL 002	ABS
12	1	INTERNAL CONE 001	ABS
13	1	GLASS COVER	STD.
14	1	3X15MM SELF TAPPING SCREW	STD.
15	1	BAG CLIP	ABS
16	1	TOP DIAL	ALUMINUM
17	1	ROTARY ENCODER	STD.



SCALE 1:0.8

SPUR GEAR SETTINGS:
1.5 MODULE
PRESSURE ANGLE 20 DEGREES
GEAR THICKNES 7MM

Dept. DE2	Technical reference IDE	Created by Josh Williams 17/06/2024	Approved by
		Document type PARTS	Document status
		Title DIAL	DWG No.
		Rev.	Date of issue 17/06/2024
			Sheet 1/1

Casing Design

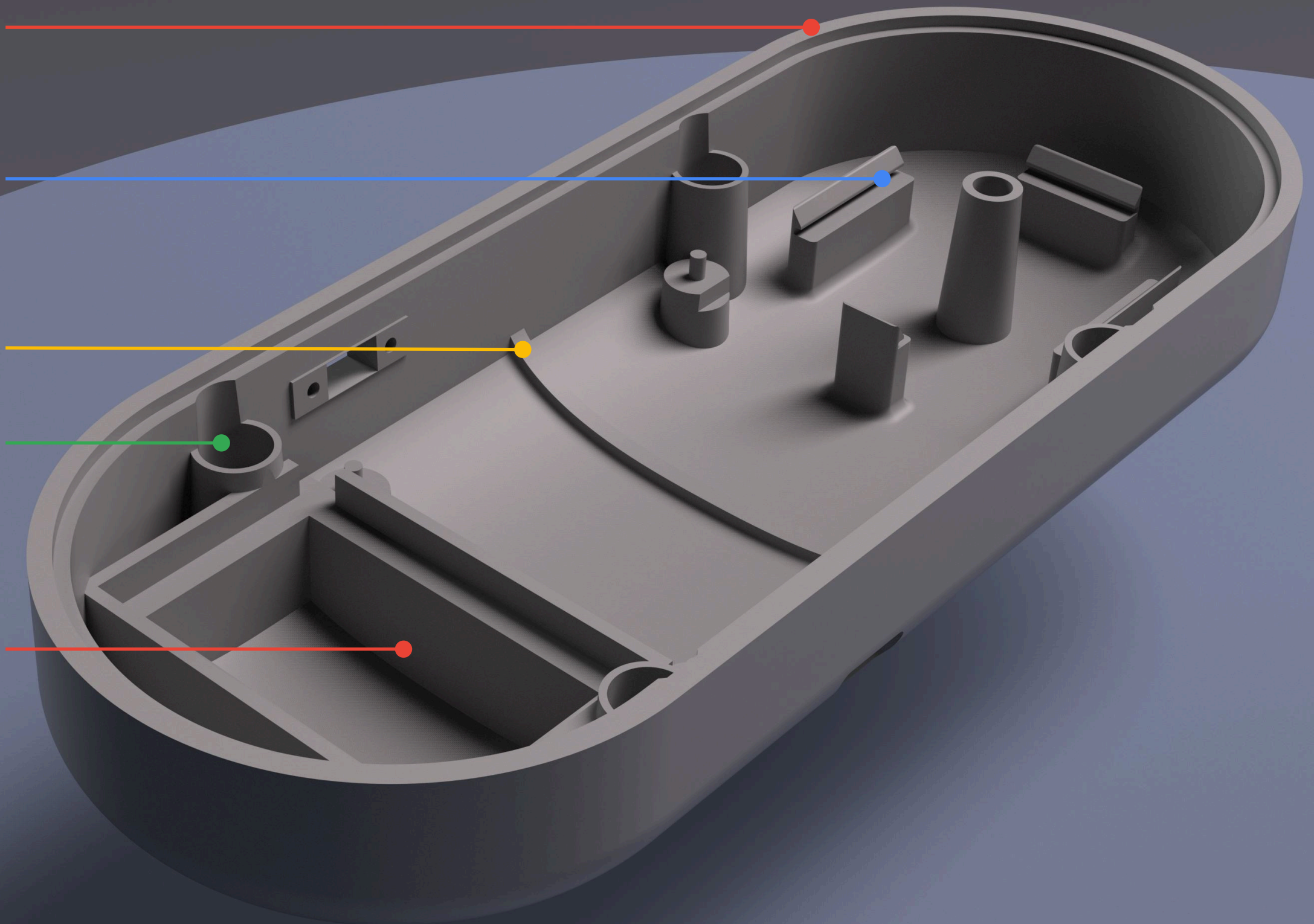
Consistent 3mm casing thickness

Snap Fittings for LED PCD board

Ribs for stiffness

Bosses for lid attachment

2 Degree Draft angle



CMF specification



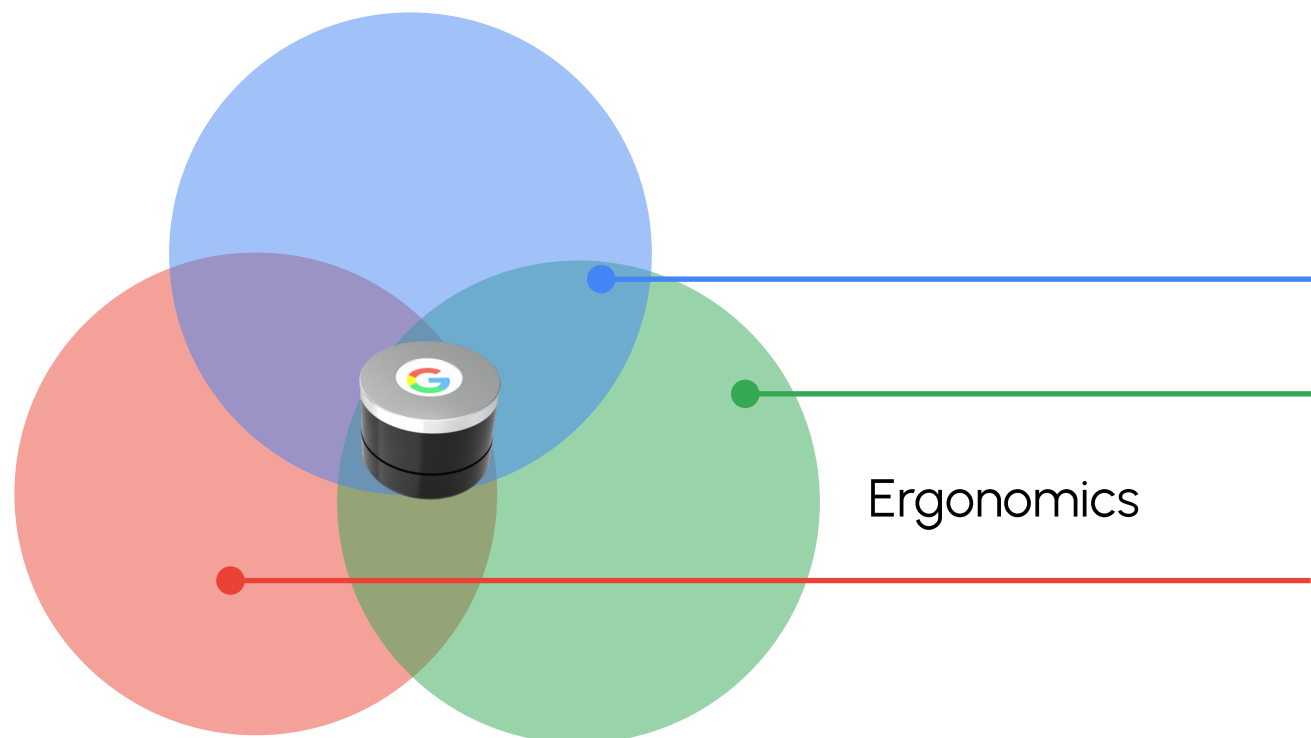
Different looks to suit your style

Nest Assured will be available in a variety of colors, in line with the google brand.

Aesthetics

Durability

Ergonomics



Silicone surface coating

A Black Silicone Spray coating was chosen as the finish for the Prototype, as well as a production version.

Why we chose this:

The Consistent Black finish leaves a clean and desirable look.

The grippy rubbery feel is functional to hold in the hand, and stops the device sliding around in the bottom of the users bag.

The heavy duty silicone spray can take the abuse of being thrown inside a bag without being damaged.

References

Slide 3, Facts about ADHD:

NICE UK, Attention deficit hyperactivity disorder: How common is it?, Last revised in April 2024, Available at: <https://cks.nice.org.uk/topics/attention-deficit-hyperactivity-disorder/background-information/prevalence/#:~:text=In%20the%20UK%2C%20the%20prevalence,and%20in%20people%20with%20disabilities.>

Slide 6 and 11, Images of Nest products:

Google Store, Your helpful Home starts here. Available at: https://store.google.com/gb/category/connected_home?pli=1&hl=en-GB

Slide 11, Google nest mission:

Nest partners, FAQ's. Available at: <https://nestpartners.withgoogle.com/faqs/#:~:text=At%20Google%20Nest%2C%20our%20mission,knowns%20what%20your%20customers%20like.>

Video



The video has been carefully crafted using further inspiration from Google Nest branded adverts and infographics.

Key highlights are using light, modern environments which portray the home in a functional light.

You can find the video here:

<https://www.youtube.com/watch?v=iS23X2kF1yc>

PRODUCT TEARDOWN

